

## [12] Patent

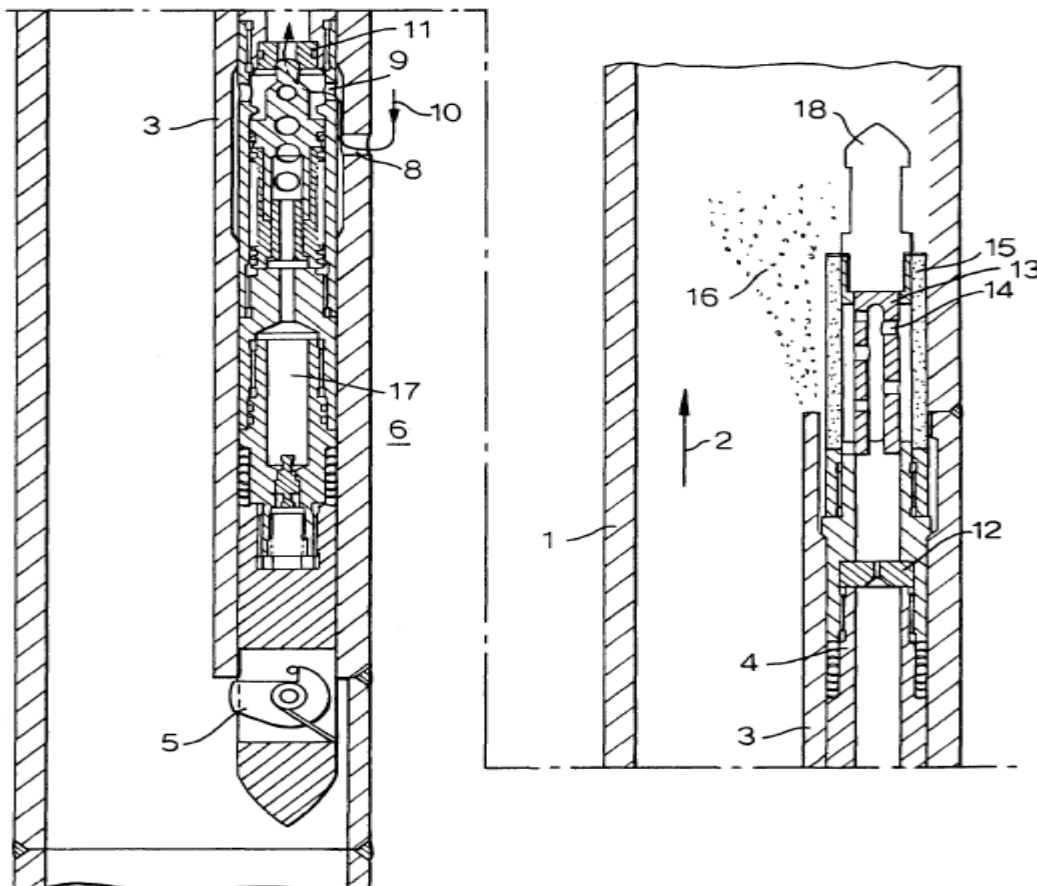
<p>[11] Patent No.: GC 0000234</p> <p>[45] Date of Publishing the Grant of the Patent: 29/03/2006                      5/2006</p>	<p>Number of the Decision to Grant the Patent: 5/648</p> <p>Date of the Decision to Grant the Patent: 22/05/2005</p>
<p>[21] Application No.: GCC/P/2001/1535</p> <p>[22] Filing Date: 28/07/2001</p> <p>[30] Priority:</p> <p>[31] Priority No.    [32] Priority date    [33] State 00303769.4            04/05/2000            EP</p> <p>[72] Inventors: 1- Jerome Hansabhaya Ellepola, 2- Rene Victoire Adolf Oliemans</p> <p>[73] Owner: Shell Internationale Research Maatschappij B.V., Carel van Bylandtlaan 30, The Hague, 2569 HR, The Netherlands</p> <p>[74] Agent: Suleiman Ibrahim Al-Ammar</p>	<p>[51] Int. Cl.<sup>7</sup>: E21B 43/12</p> <p>[56] Cited Documents: - WO 199/011905 A1 (MAGNUS) 11 March 1999 - US 4360234 A (HSUEH et al.) 23 November 1982</p>

### [54] METHOD AND SYSTEM FOR GAS-LIFTING WELL EFFLUENTS

[57] Abstract: A method and system for gas-lifting well effluents utilizes a porous wall in which an array of small lift-gas injection ports is present such that lift-gas is injected as an agglomerate of finely dispersed micro-bubbles into the stream of well effluents. In this way the lift-gas and produced crude oil form a forth and the risk of slugs of lift-gas that bypass slugs of crude oil and create an unstable flow regime is minimized.

No. of claims: 7

No. of figures: 5



Note: Any interested individual may, within 3 months of publication of the grant, file objection thereof with the Grievance Committee after payment of grievance fees.